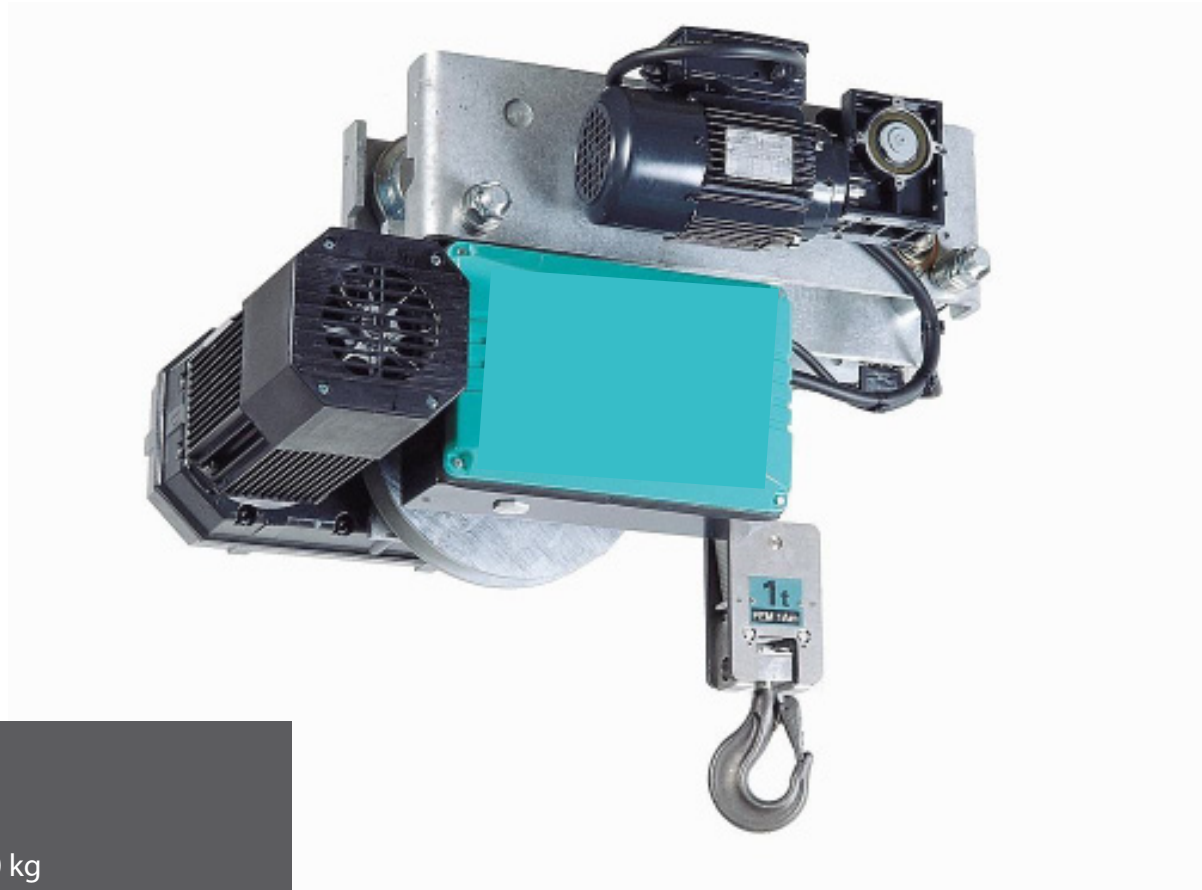


MULTIPLE PARTS BELT HOIST MAX. 2.000 KG

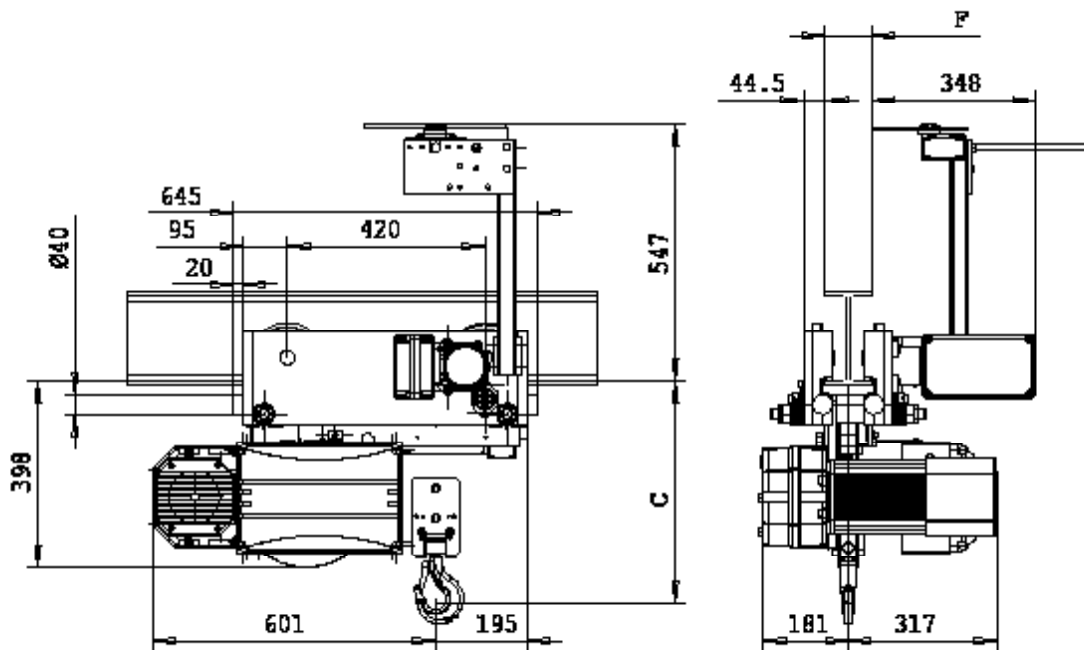


SPECIFICATIONS

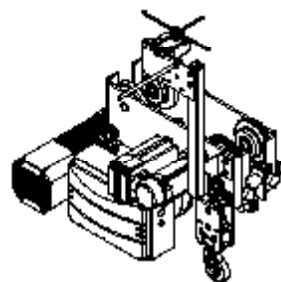
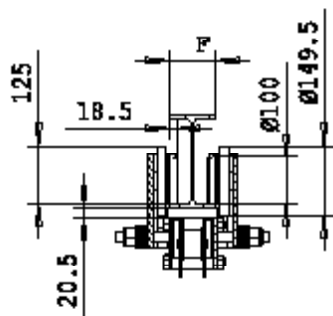
- WLL max. 2.000 kg
- monorail or fixed belt hoist
- 1 belt-hoist
- Height of crane monorail: 490 mm
- Height of crane fbh: 470 mm
- Class: ISO 5

MULTIPLE PARTS BELT HOIST MAX. 2.000 KG

Monorail



Fixed belt hoist



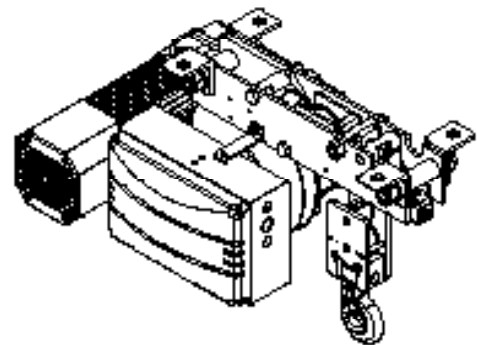
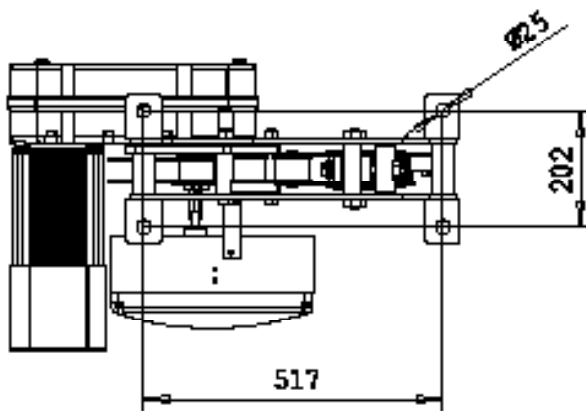
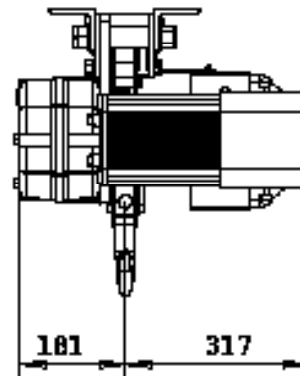
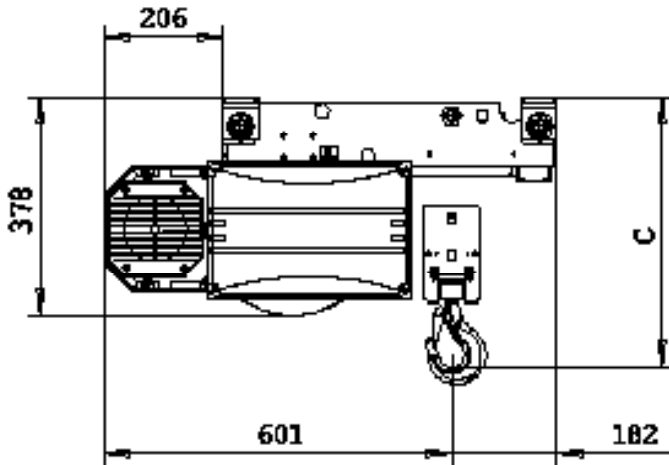
Type	C (mm)
BH 202..	440
BH 203..	480
BH 204..	440

80 < F < 300

Poids / Weight: 180 kg

MULTIPLE PARTS BELT HOIST MAX. 2.000 KG

Fixed belt hoist



Type	C (mm)
BH 202	418
BH 203	488
BH 204	418