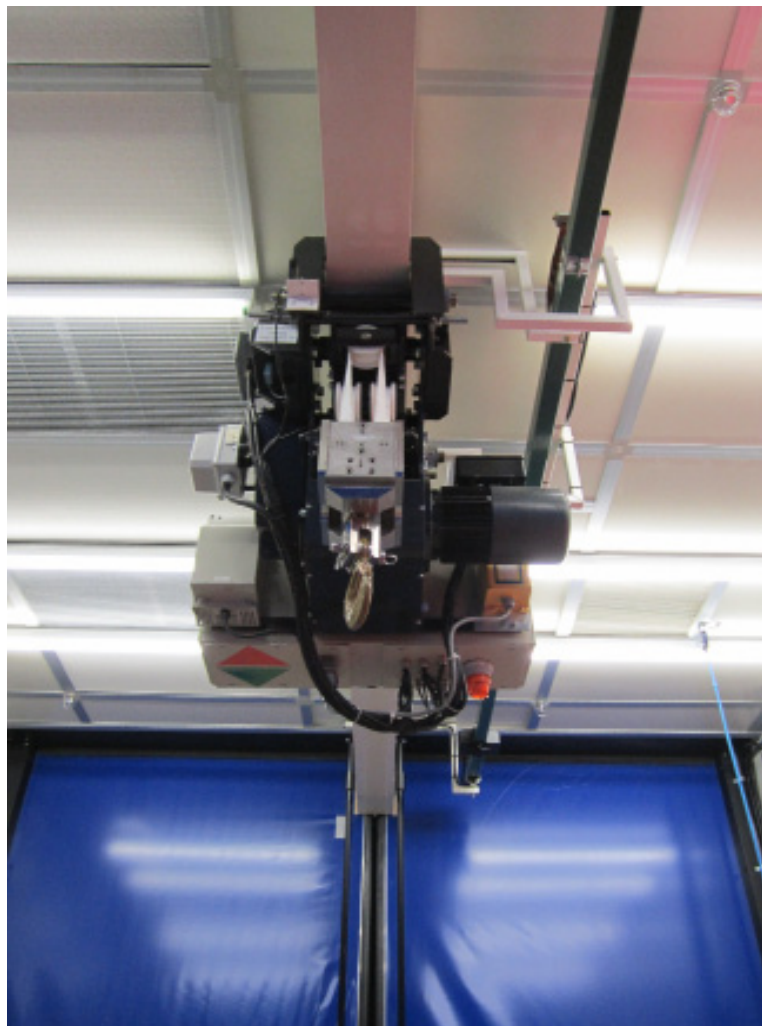
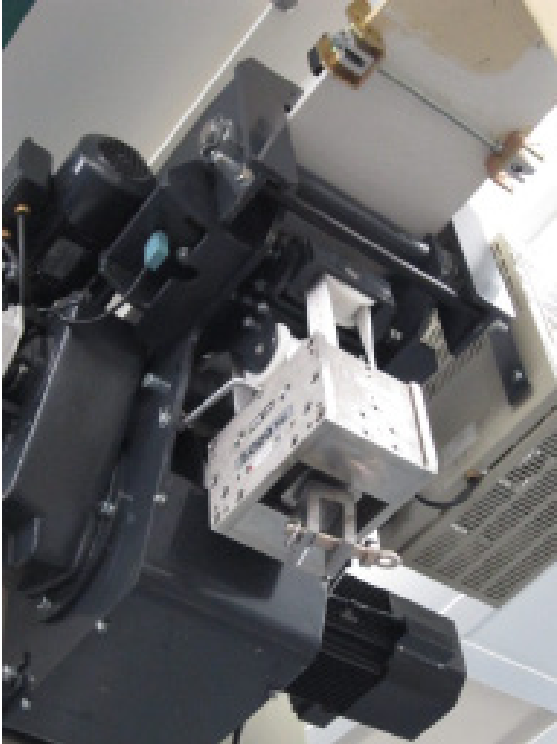


MULTIPLE PARTS BELT HOIST 2.000 KG - MAX. 5.000 KG

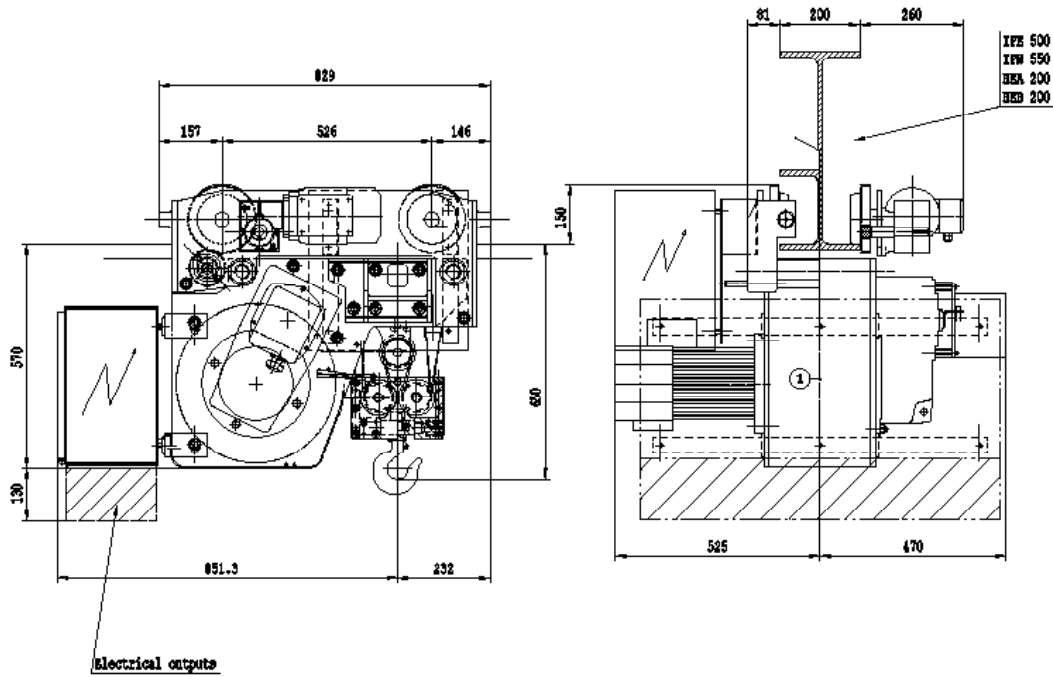


SPECIFICATIONS

- WLL max. 5.000 kg
- 1 Belt-hoist
- Monorail or fixed belt hoist
- Hoisting height up to 7.000 mm
- Crane height 600 - 650 mm
- Class: ISO 4

MULTIPLE PARTS BELT HOIST 2.000 KG - MAX. 5.000 KG

Monorail



Fixed belt hoist

